

**State of Oregon
Building Codes Division
Interpretive Ruling No. 99-4**

PLUMBING PRODUCT APPROVAL REQUEST-METANA STEELWORX

Initiated By: G.W. Markel
PIPE, INC./METANA STEELWORX
755 N.E. Columbia Blvd.
P.O. Box 11971
Portland, Oregon 97211
Telephone (503) 240-3598
FAX (503) 283-8747

REQUEST FOR RULING

Approval of the Metana Steelworx Type 24-Steel Catch Basin.

APPLICABLE CODE SECTION


1996 Oregon State Plumbing Specialty Code, Section 1108.0.

FINDINGS

Effective April 1, 1996 the Division adopted plumbing code provisions listing the standards for catch basins in Section 1108.0. The Metana Steelworx Type 24-Steel Catch Basin as submitted meets the provisions of Section 1108.0, of the 1996 Oregon State Plumbing Specialty Code. Submitted drawings are attached.

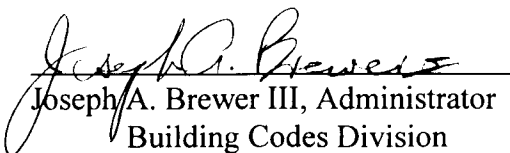
CONCLUSION

The State Plumbing Board recommends the Building Codes Administrator approve this Interpretive Ruling No. 99-4.

✓ 
Lewis E. Seagraves
Chairman, Plumbing Board

August 26, 1999
Date

The recommendations and findings of the Board are accepted and Interpretive Ruling No. 99-4 is approved.


Joseph A. Brewer III, Administrator
Building Codes Division

August 31, 1999
Date

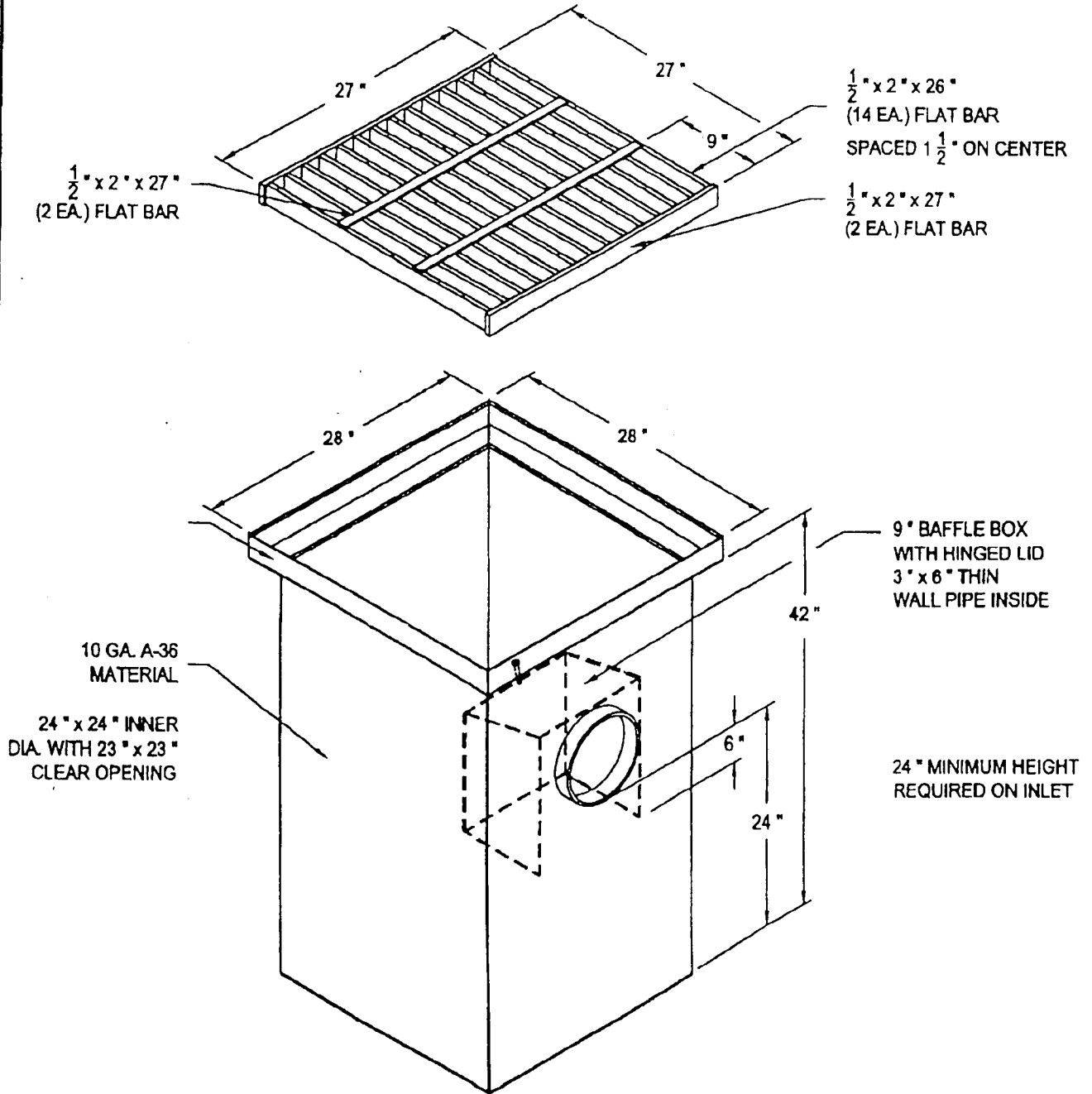
Métana Steelworx

P.O. Box 11971
755 N.E. Columbia Blvd.
Portland, OR. 97211

Phone: (503) 240-3598
FAX: (503) 283-8747

TYPE 24 - STEEL CATCH BASIN

COATED WITH ASPHALT EMULSION
4 MIL MINIMUM



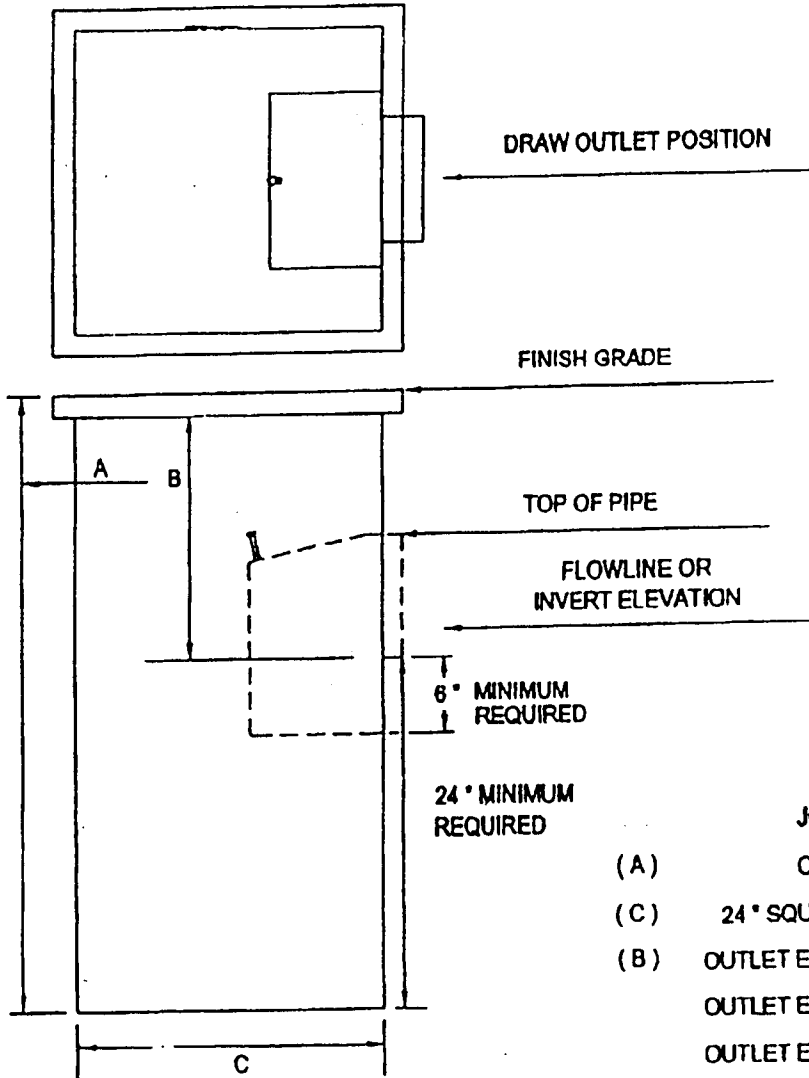
Métana Steelworx

P.O. Box 11971
 755 N.E. Columbia Blvd.
 Portland, OR. 97211

Phone: (503) 240-3598
 FAX: (503) 283-8747

CATCH BASIN ORDER AND QUESTIONNAIRE

WITH AVAILABLE OPTIONS ON REQUEST



- 10 GAUGE OR $\frac{1}{4}$ " PLATE
- HINGED BAFFLE
- SOLID BAFFLE
- OTHER

24" MINIMUM
 REQUIRED

6" MINIMUM
 REQUIRED

JOB # : _____

(A) C.B. # : _____

(C) 24" SQUARE : _____

(B) OUTLET EL # 1 : _____

OUTLET EL # 2 : _____

OUTLET EL # 3 : _____

RIM EL : _____

OUTLET # 1 SIZE : _____

OUTLET # 2 SIZE : _____

OUTLET # 3 SIZE : _____